

Satellite Phone Indoor Amplifier Device

JTD-RP-1516-66-19



Inmarsat & Thuraya Phone Suitable

The Satellite Phone Indoor Amplifier Device is a device let your Inmarsat or Thuraya satellite phone can normally use in the room. (used in the boat, vehicle, building etc).

Install this device with our special outdoor antenna and omni indoor antenna, making you keep in touch with others freely even in the room, you can call out and receive the incoming call even in the room, no need go out to search the satellite signal and wait for register, and at same time, the device can support up to 100 sets satellite phone communication at same time in the room which cover up to 400 square meters.



Key Features

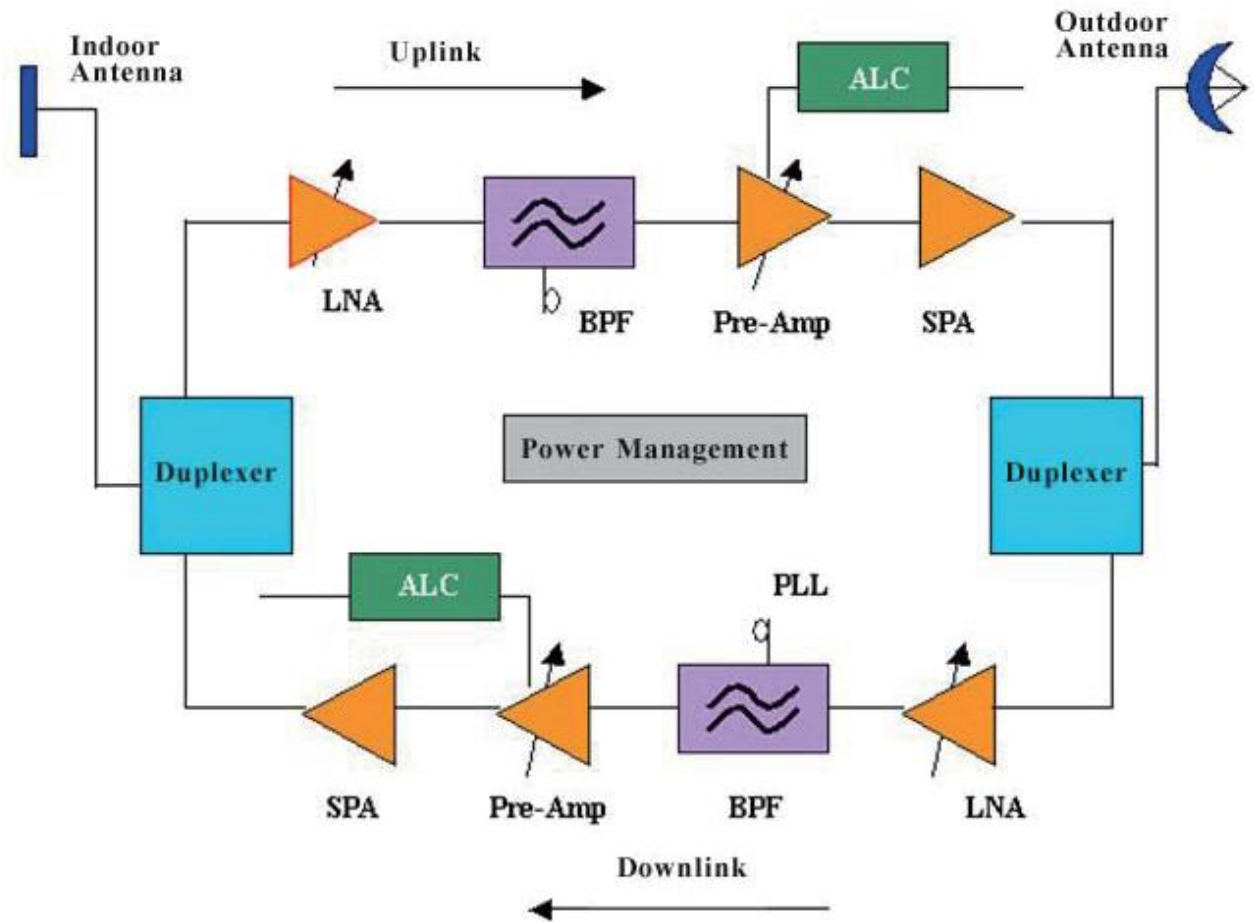
- Keep your Satellite phone on communication status even in the room. Avoid miss coming call when you are in the room. And also you no need going outdoor for searching the satellite signal.
- The device can suitable for Inmarsat Isatphone Pro, Thuraya SO-2510, SG-2520, Thuraya XT etc models, and also BGAN Terminals.
- Keep your satellite phone can move freely, unlike Fixed Satellite phone which can't move, and also you can freely hand carry your satellite phone when need go out.



Principle

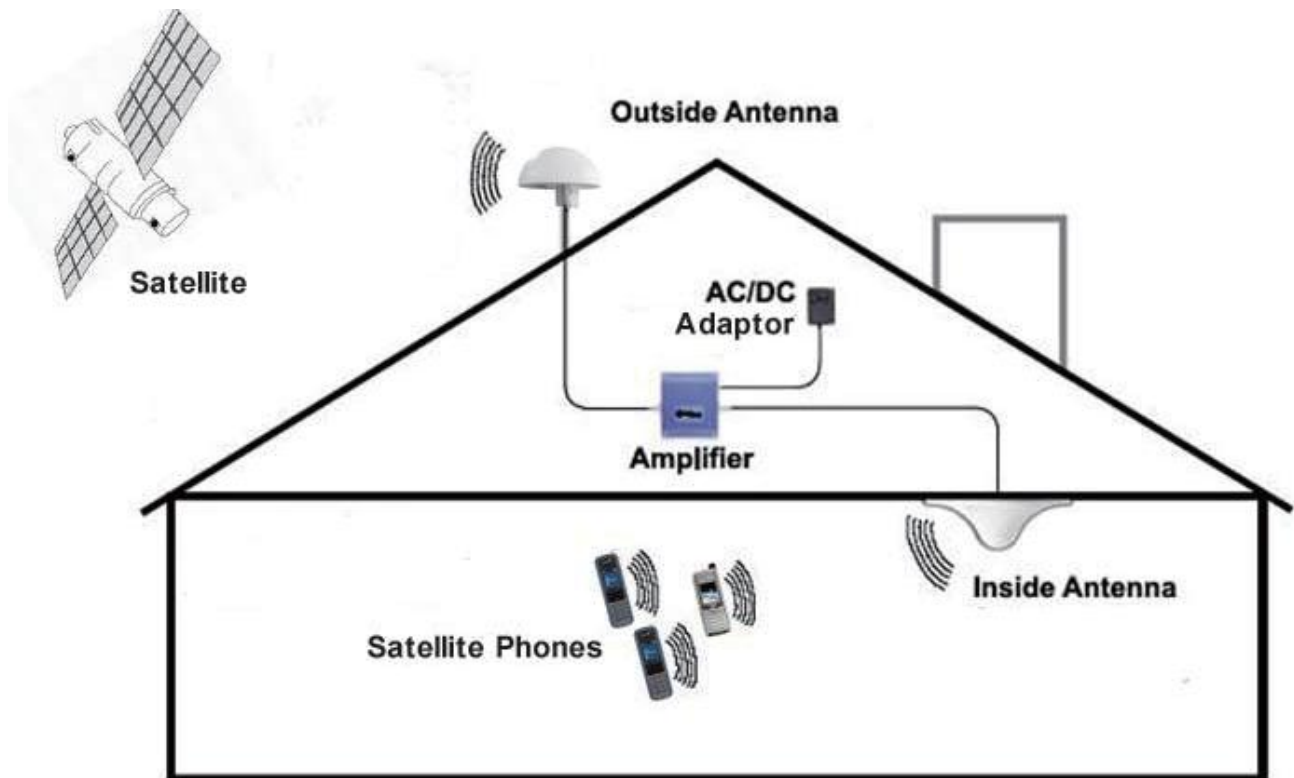
The basic principle of this device is that the outdoor antenna receives the downlink signal from the satellite (Inmarsat or Thuraya), through high selectivity band-pass filter to well isolate the pass-band signal, after amplifying by integrative power amplifier, then transferred by indoor antenna, meanwhile, on the way of uplink path, signal of satellite phone in the coverage area is transmitted to the satellite after disposing by uplink amplifying link path by same working mode.

For the Inmarsat and Thuraya satellite network system, downlink signal including: satellite and GPS L1 2 signal. The device has Automatic Level control (ALC) System, automatic control the gain according to the circumstance.



Specifications

Item	Specification	
	Receiver	Transmitter
Middle Frequency	Receiver	GPS L1
	1525.0 ~1559.0 MHZ	1575.42+/- 10.25 MHZ
Output Power Max With ALC (Automatic Level control)	19dBm	19dB m
Gain	> 62/66dB	
In/Out Impedance	50Ω	
VSWR	< 1:1.8	
Downlink isolates degree	> 125dB	
Noise Factor	< 5.0dB	
Pass band Ripple	5dB p-p	
Power Supply	DC 5V, 3A	
Dimension	220 x 125 x 30 mm	
Certificate	CE (Europe) & FCC (USA)	



Suitable Devices

